

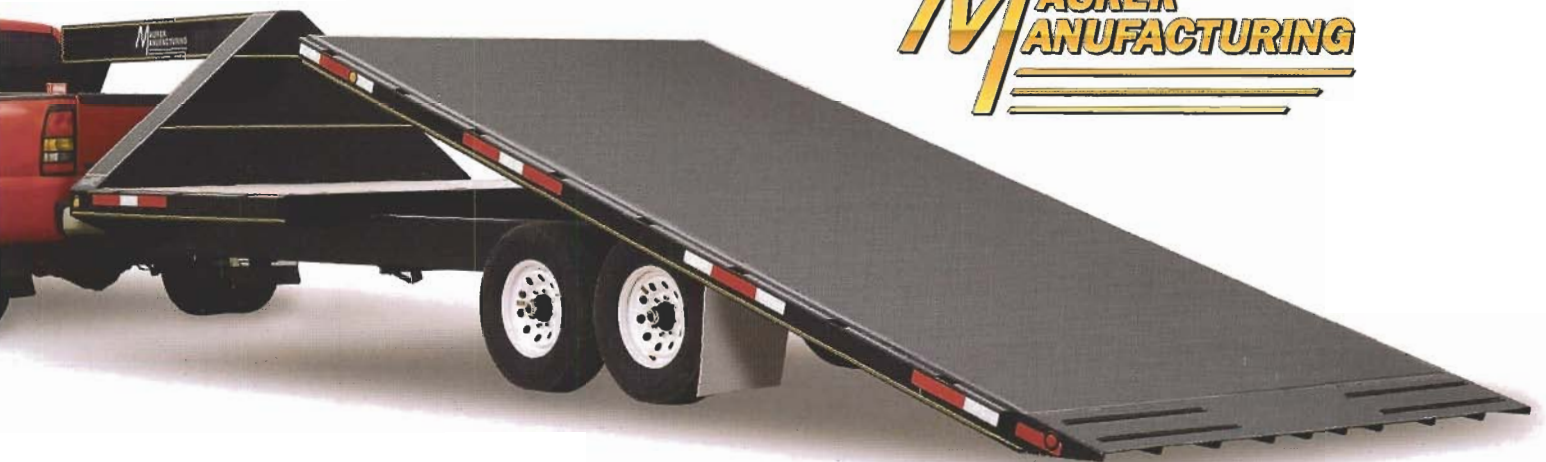
Gooseneck Tiltbed Trailer

- 16 feet of tilting bed and 6 feet of stationary bed.
- Gross Vehicle Weight rating 12,000 lbs. & 14,000 lbs.
- 102 inch bed width (includes rub-rail)
- 34.6 inch bed height
- 17 degrees of tilt



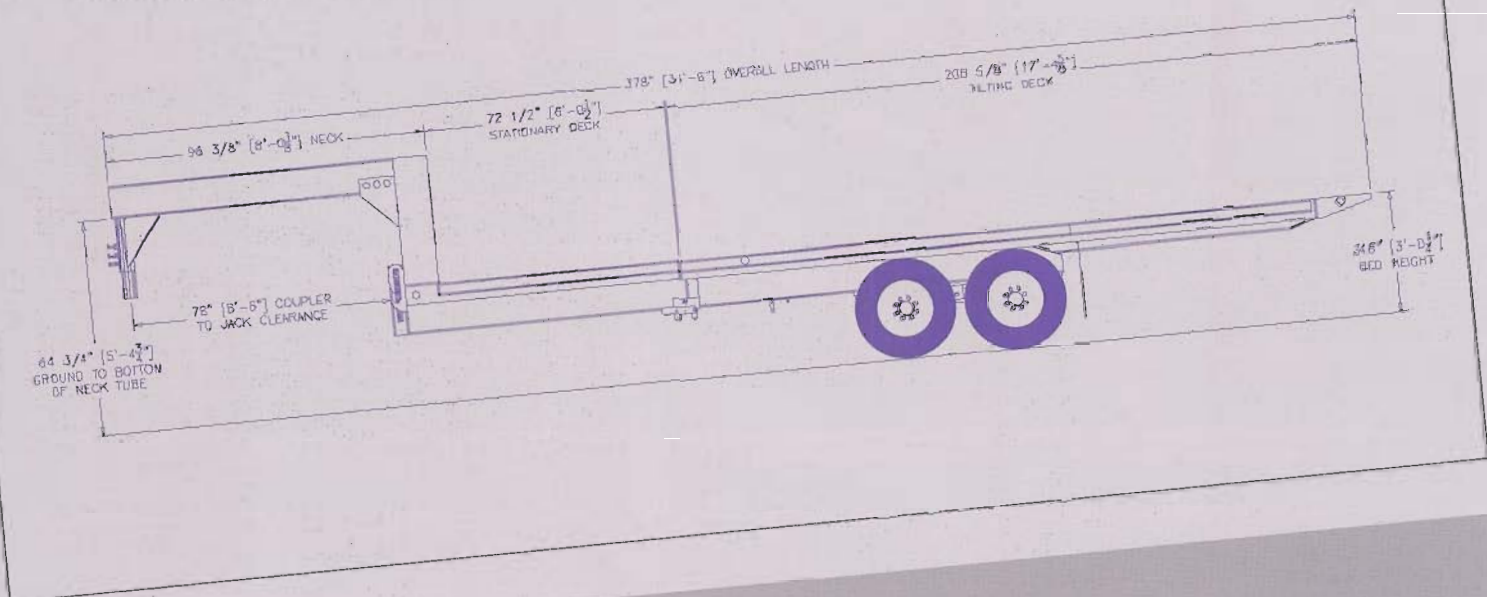
Getting equipment to your worksite just got easier.

Lakes Enterprises, INC. DBA
**MAURER
MANUFACTURING**



Specifications

Tilting bed cross member spacing is 10 inches.



Gooseneck Tiltbed Trailer

Total Length	31'-6"
Width	102"
GVW	12,000 lbs. & 14,000 lbs.
Bed Height	34.6'
Tilt Bed Surface	Painted steel non-slip silica sand finish
Stationary Bed Surface	Pressure treated southern yellow pine
Tilt System	Closed hydraulic
Tandem Axles	7K , 8 bolt spring axles, slipper style springs @ 3500 lbs. each
Hubs / Spindles	Easy lube spindles with electric brakes
Wheel	8 bolt white mod
Tires	235 85R16 (LR) E
Jack	Single 10,000 lb. dropleg, (crank off left side of trailer)
Safety Chain Rating	14,000 lbs. each
Side Rub-Rail and Stake Pockets	Full trailer bed length
Gooseneck Coupler	2 5/16"
Estimated Weight Standard Trailer	5560 lbs.

The electrical system consists of all sealed wiring with all rubber mounted sealed beam lights connected with a 6 pole round connector plug. Other standard features are: PPG epoxy primer with PPG industrial enamel paint top coat. Choose red, black, gray or construction yellow paint with red, black, white, gold or silver colored pinstriping. All trailers have D.O.T. approved conspicuity tape. Gravel guards and mud flaps are also standard.



P.O. Box 160 • 1300 38th Avenue West • Spencer, IA 51301
View all our products on the web at: www.maurermfg.com
888-274-6010

(Dealer inquiries welcome.)